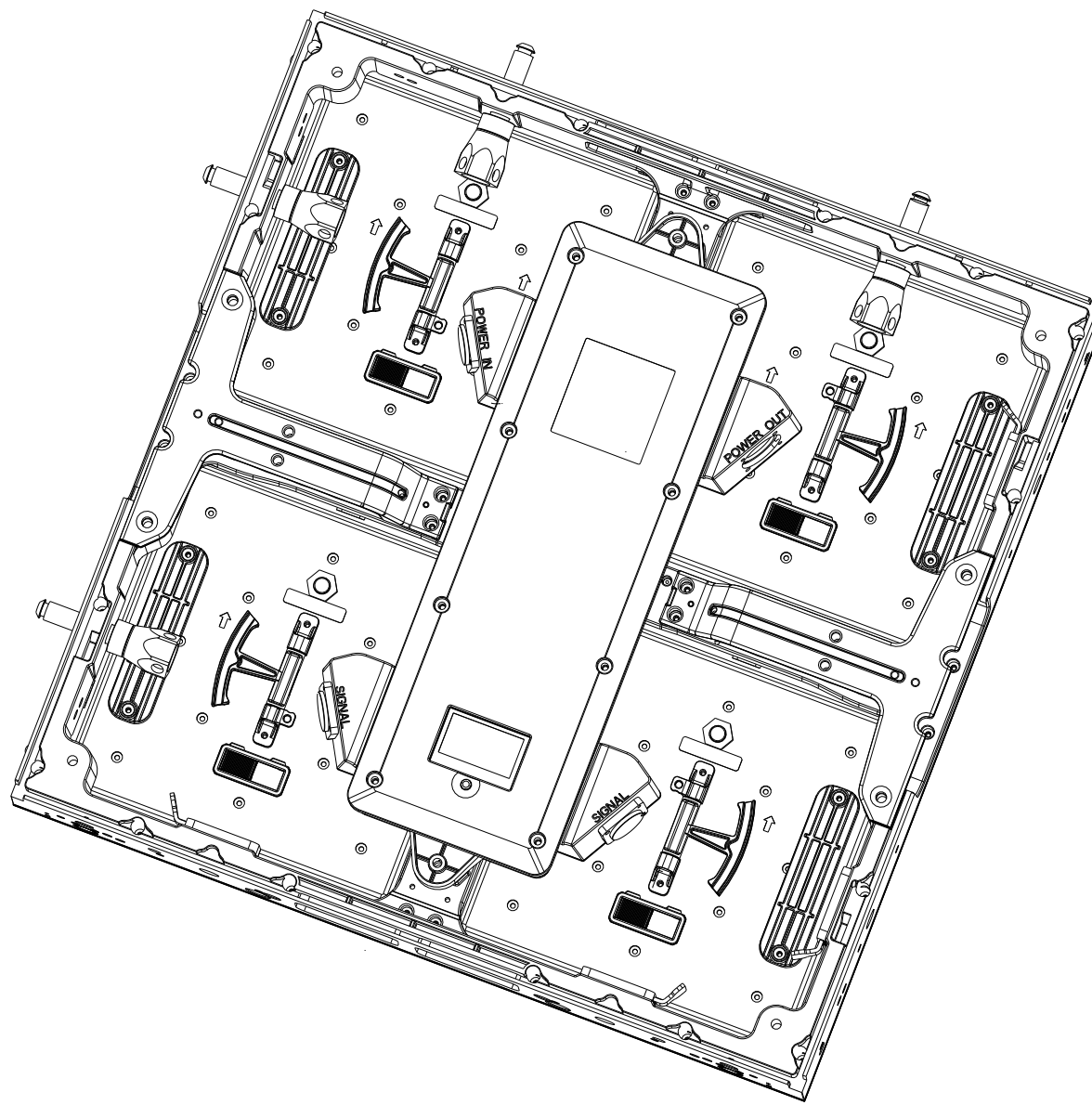
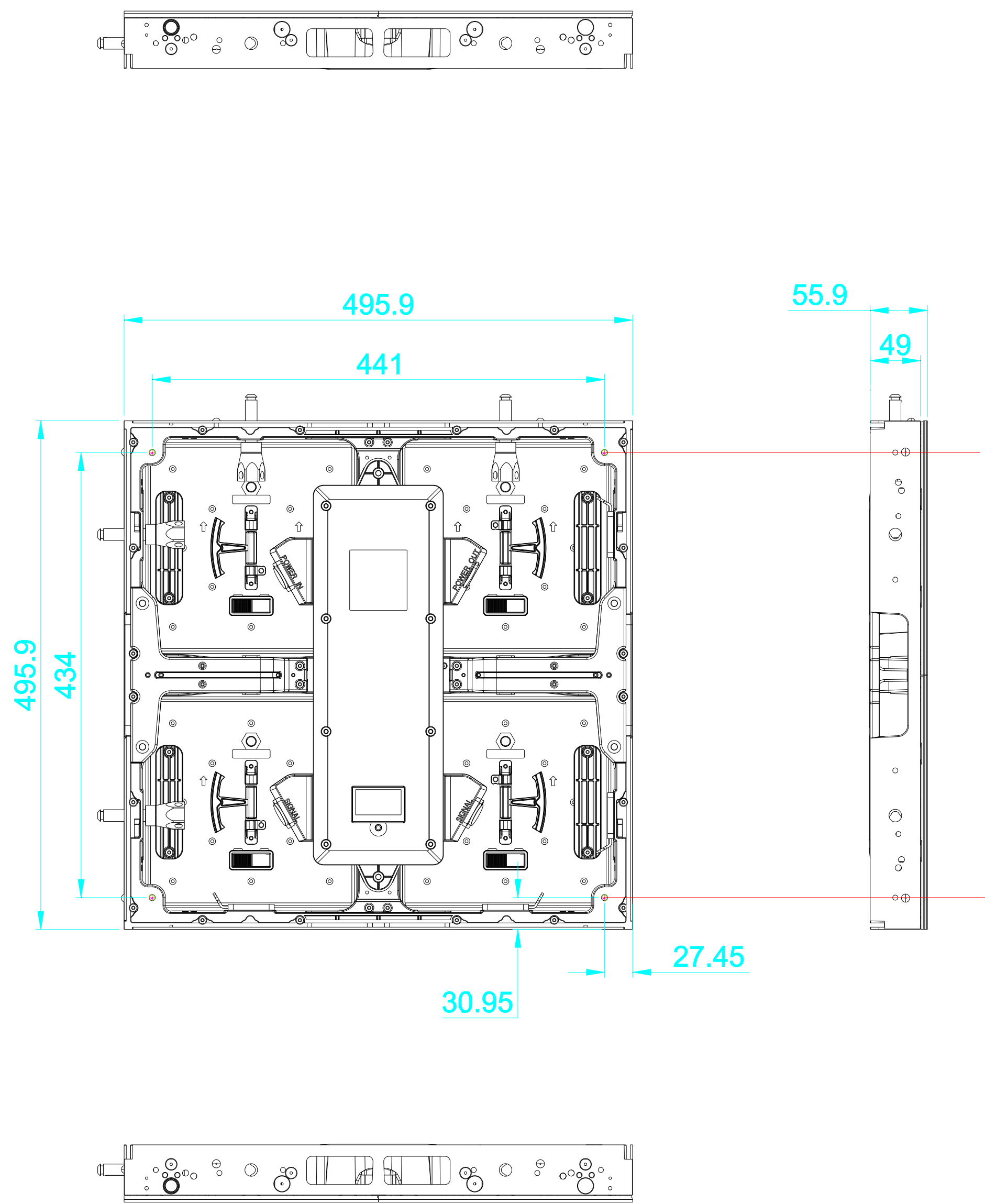


DYNAMO

LED DISPLAYS



| Ver | | Change Description | |
|----------------------|-------|---------------------|-----------------------|
| Model: 496mm x 496mm | | DYNAMO LED DISPLAYS | |
| Design: | Date: | Name: DEX Cabinet | Ratio: Change numbers |
| Audit: | Date: | | QTY: Drawing Size |
| Approval: | Date: | Material: | Edition: |
| Projection ID | | | Drawing No.: |
| | | | Screen No.: |
| | | | |